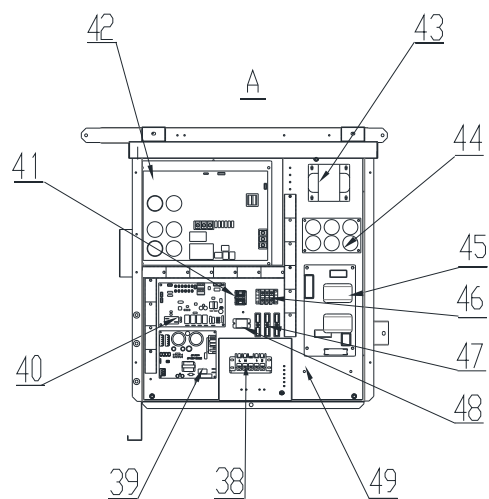
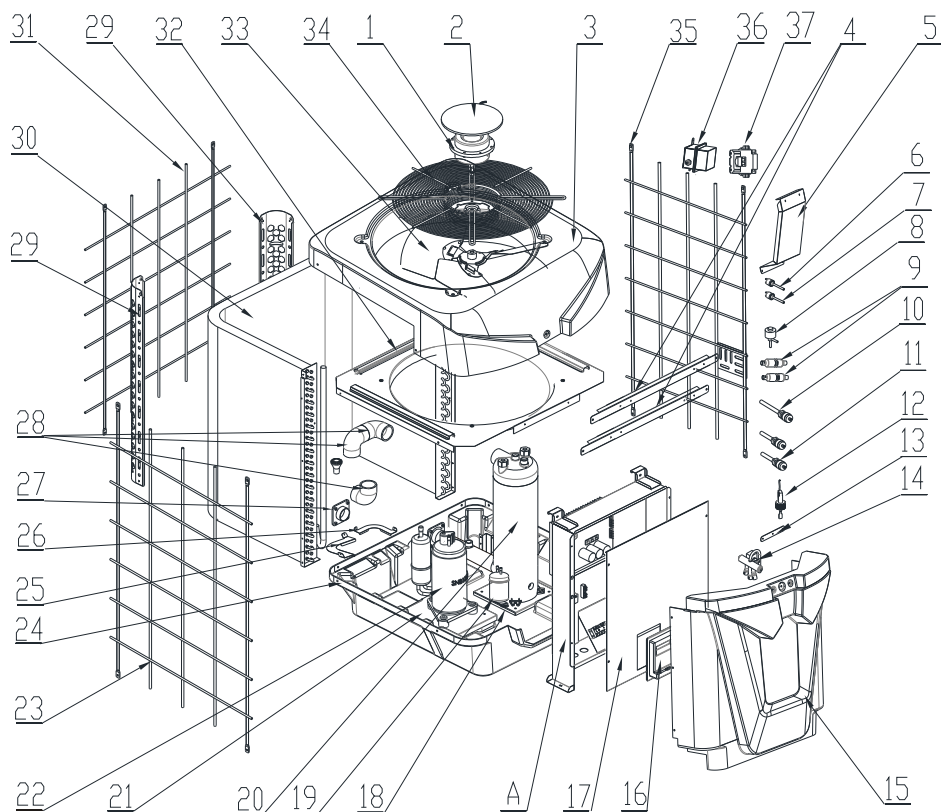


PASRW080S-U-P-BP4 (10300010)



SN	Part Code	Part name	Standard
1	20000-330402	Axial flow fan motor	ZWS250-A51
2	20000-220320	Cover plate	ABS+PC
3	80900200	The top	ABS 4 mm UV resistant black fine grain 9005
4	80704597	The beam	2.0 spraying black galvanized sheet
5	32004-210137	The fan guard	1.0 spraying black galvanized sheet
6	2001-3605	High Pressure switch	3.2 MPa / 4.4 MPa + / - 0.15 normally closed
7	20000-360157	Low Pressure switch	0.3 MPa / 0.15MPa + / - 0.05 normally open
8	20000-140398	Electronic expansion valve	DPF(TS1)3.2C-01 (body printing: TS132C01)
9	20000-140027	The filter	Φ12.9-Φ12.9 (Φ28) T2Y2
10	20000-140512	needle valve	95mm 7/16"
11	20000-140150	needle valve	40mm 1/2"
12	20000-360005	flow switch (mould)	PSL 1 3/4 teeth all plastic inside
13	32002-210084	Surface box fixed plate	1.0 spraying black galvanized sheet
14	2001-1491	4-way valve	SHF-20A-46/DSF-20-R410A
15	80900602	The front panel	ABS 3.4 mm UV resistant black fine grain 9005
16	20000-220247	The junction box body	C ABS black
17	80702645	Electrical plate	1.0 spraying black galvanized sheet
18	32004-210135	Titanium pipe support	1.0 spraying black galvanized sheet
19	20000-140579	Tank	TY-20-SX
20	32004-120014	Titanium tube heat exchanger	2-Φ12.7×14m Φ200 titanium threaded pipe
21	32004-210134	Press stents	1.0 spraying black galvanized sheet
22	80100070	Compressor	LV53FCAMC
23	80705111	Left protect net	Φ 5 / Φ 3 iron wire black fine grain 9005
24	80900566	chassis	ABS 4 mm UV resistant black fine grain 9005
25	80704399	Pad	1.0 stainless steel
26	80704399	Pad	1.0 stainless steel
27	2003-1379	Joint	F 50 x 1.5" internal thread 80 x 80 square plate PVC
28	2001-1359	The 90 ° elbow	Φ50 PVC
29	80702656	After the pillarWater	1.0 spraying gray galvanized sheet
30	32004-120013	Finned heat exchanger	596×872×596×875×Φ7×2
31	80705112	back protect net	Φ 5 / Φ 3 iron wire black fine grain 9005
32	32015-210035	Top support plate component	Do not spray
33	20000-270057	Axial flow fan	ZF6-H150-J4-D12-NB Φ600
34	80700160	Fan nets (with plastic cover)	Φ6 Φ3 iron wire
35	80705110	Right protect net	Φ 5 / Φ 3 iron wire black fine grain 9005
36	80702226	Unite BOX	1.0 spraying black galvanized sheet
36	80701839	Unite BOX	1.0 spraying black galvanized sheet
37	20000-360023	Three-phase AC contactor	DPA51CM44-B014T
38	4000-3901	Five-position junction seat	Spraying black
39	20000-430228	Fan speed module	RS9101C-5(450V- 4mm2)(L、N、PE、1、2)
40	20000-430227	Pc1004r	MXL228
41	20000-390046	Terminal	MXL227
42	20000-390047	Terminal plate	MSB 2.5-M
42	20000-390048	Terminal	D-MSB 1.5-F
42	20000-390049	Terminal	MSDB 2.5-M
42	82300112	Driver module	MSB 2.5-F
43	20000-370030	Reactor	2AC32107WM1
44	302010-00000014	Inverter board capacitor	R3005RJC-1
45	82300074	Driver board filter	MZ92100RM(100Ω)
46	20000-390223	Three wire holder	AC19132.RWL.150813
47	2000-3909	Two-position junction seat	RS9211(450V- 4mm2)
48	20000-360297	Relay	HATF903AS30AC220 AC220V 30A
49	80703694	Explosion liner	Spraying black